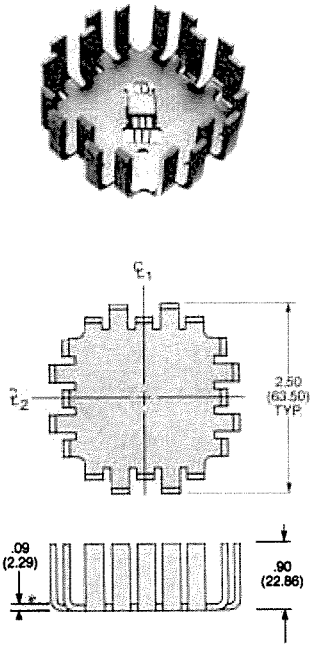


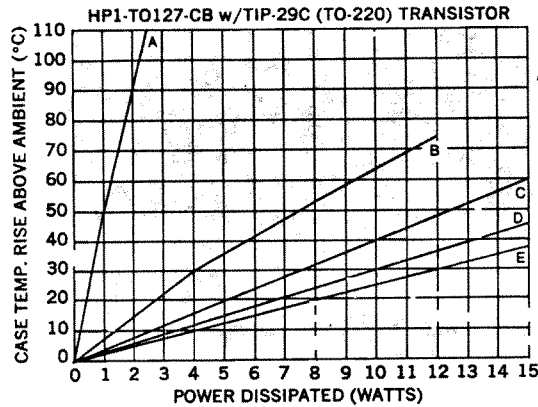
SECTION 2

HEAT DISSIPATORS FOR PLASTIC CASE, CASE-MOUNTED SEMICONDUCTORS

HP1 Single Mount Series



Dimensions are for reference use only. Contact IERC for dimensions with tolerances or standard part drawings.



DESCRIPTION OF CURVES

- A. N.C. Horiz. Device Only Mounted to G-10.
- B. N.C. Horiz. & Vert. With Dissipator.
- C. 200 FPM w/Diss.
- D. 500 FPM w/Diss.
- E. 1000 FPM w/Diss.

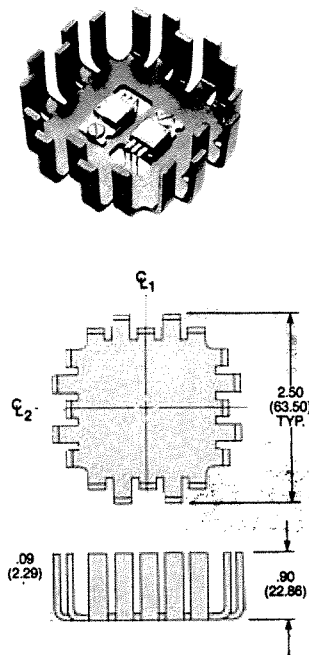
- Thermal Resistance Case to Sink is 0.9-1.1 °C/W w/Joint Compound.
- Derate 1.0 °C/watt for unplated part in natural convection only.
- Derate 3.0 °C/watt for Insulube® part in natural convection only.

Ordering Information

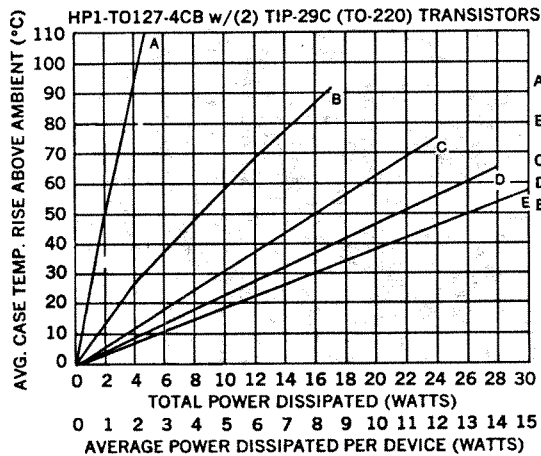
IERC PART NO.				Semiconductor Accommodated	Hole patt. ref. no. (see pg. 2-27)	Max. Weight (Grams)
Unplated	Comm'l. Black Anodize	Mil. Black Anodize	Insulube® 448			
HP1-000-U	HP1-000-CB	HP1-000-B	HP1-000	Undrilled	—	35.0
HP1-T0126-U	HP1-T0126-CB	HP1-T0126-B	HP1-T0126	TO-126	5	35.0
HP1-T0127-U	HP1-T0127-CB	HP1-T0127-B	HP1-T0127	TO-127, TO-220	6	35.0
HP1-420-U	HP1-420-CB	HP1-420-B	HP1-420	Universal	9	35.0

Note: See page iv for other finishes.

HP1 Dual Mount Series



Dimensions are for reference use only. Contact IERC for dimensions with tolerances or standard part drawings.



DESCRIPTION OF CURVES

- A. N.C. Horiz. Device Only Mounted to G-10.
- B. N.C. Horiz. & Vert. With Dissipator.
- C. 200 FPM w/Diss.
- D. 500 FPM w/Diss.
- E. 1000 FPM w/Diss.

- Thermal Resistance Case to Sink is 0.9-1.1 °C/W w/Joint Compound.
- Derate 2.0 °C/watt per device for unplated part in natural convection only.
- Derate 3.0 °C/watt per device for Insulube® part in natural convection only.
- Case Temperatures Match Within 2°C at equivalent power levels.

Ordering Information

IERC PART NO.				Semiconductor Accommodated	Hole patt. ref. no. (see pg. 2-28)	Max. Weight (Grams)
Unplated	Comm'l. Black Anodize	Mil. Black Anodize	Insulube® 448			
HP1-T0127-4U	HP1-T0127-4CB	HP1-T0127-4B	HP1-T0127-4	Two TO-127s, Two TO-220s	10	35.0

Note: See page iv for other finishes.